

# Technical data sheet



## Product features

### Cooking range electric with 4 solid top plates on open cabinet

|              |                 |          |
|--------------|-----------------|----------|
| <b>Model</b> | <b>SAP Code</b> | 00014652 |
|--------------|-----------------|----------|



- Device type: Electric unit
- Power consumption of the zone 1 [kW]: 4x square hotplates 2.5 kW size 300 x 300 mm
- Power consumption of the zone 2 [kW]: 2,5
- Power consumption of the zone 3 [kW]: 2,5
- Power consumption of the zone 4 [kW]: 2,5
- Protection of controls: IPX4
- Material: AISI 304 top plate, AISI 430 cladding

|                            |          |   |  |
|----------------------------|----------|---|--|
| <b>SAP Code</b>            | 00014652 | <b>Loading</b>                              | 400 V / 3N - 50 Hz                           |
| <b>Net Width [mm]</b>      | 800      | <b>Number of zones</b>                      | 4  |
| <b>Net Depth [mm]</b>      | 700      | <b>Power consumption of the zone 1 [kW]</b> | 4x square hotplates 2.5 kW size 300 x 300 mm |
| <b>Net Height [mm]</b>     | 910      | <b>Power consumption of the zone 2 [kW]</b> | 2,5  |
| <b>Net Weight [kg]</b>     | 89.80    | <b>Power consumption of the zone 3 [kW]</b> | 2,5  |
| <b>Power electric [kW]</b> | 10.000   | <b>Power consumption of the zone 4 [kW]</b> | 2,5  |

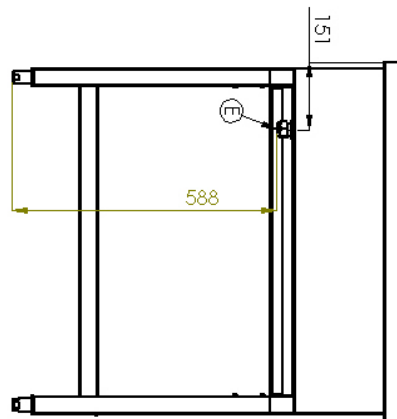
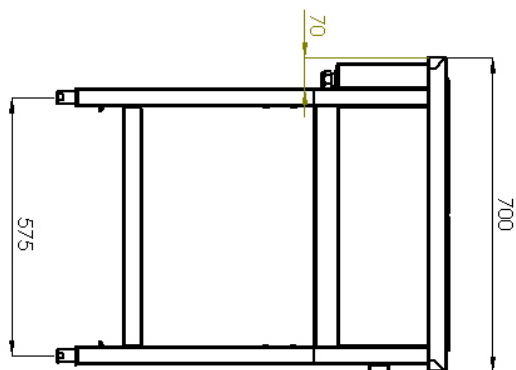
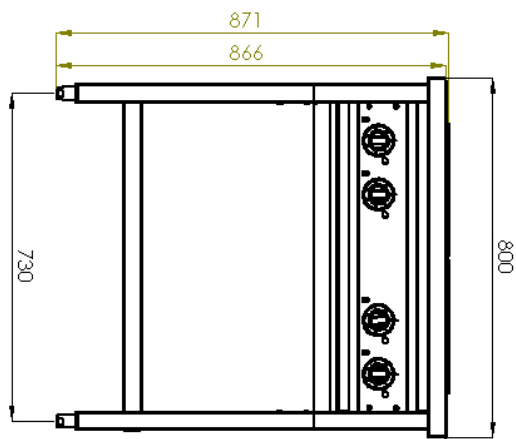
# Technical data sheet



Technical drawing

Cooking range electric with 4 solid top plates on open cabinet

|       |          |          |
|-------|----------|----------|
| Model | SAP Code | 00014652 |
|-------|----------|----------|



# Technical data sheet



## Technical parameters

### Cooking range electric with 4 solid top plates on open cabinet

|              |                 |          |
|--------------|-----------------|----------|
| <b>Model</b> | <b>SAP Code</b> | 00014652 |
|--------------|-----------------|----------|

**1. SAP Code:**

00014652

**2. Net Width [mm]:**

800

**3. Net Depth [mm]:**

700

**4. Net Height [mm]:**

910

**5. Net Weight [kg]:**

89.80

**6. Gross Width [mm]:**

840

**7. Gross depth [mm]:**

800

**8. Gross Height [mm]:**

975

**9. Gross Weight [kg]:**

105.00

**10. Device type:**

Electric unit

**11. Construction type of device:**

With substructure

**12. Power electric [kW]:**

10.000

**13. Loading:**

400 V / 3N - 50 Hz

**14. Protection of controls:**

IPX4

**15. Material:**

AISI 304 top plate, AISI 430 cladding

**16. Worktop material:**

AISI 304

**17. Worktop Thickness [mm]:**

1.20

**18. Number of zones:**

4

**19. Power consumption of the zone 1 [kW]:**

4x square hotplates 2.5 kW size 300 x 300 mm

**20. Power consumption of the zone 2 [kW]:**

2,5

**21. Power consumption of the zone 3 [kW]:**

2,5

**22. Power consumption of the zone 4 [kW]:**

2,5

**23. Number of power control stages:**

6

**24. Service accessibility:**

Trough the frontal panel

**25. Safety element:**

internal thermostatic protection against overheating

**26. Safety thermostat up to x ° C:**

360

**27. Adjustable feet:**

Yes

**28. Additional information:**

drawer for easy removal of dirt stuck under the plates

# Technical data sheet



Technical parameters

Cooking range electric with 4 solid top plates on open cabinet

|              |                 |          |
|--------------|-----------------|----------|
| <b>Model</b> | <b>SAP Code</b> | 00014652 |
|--------------|-----------------|----------|

**29. Number of burners/hot plates:**

4

**30. Type of electric cooking zones:**

Squared